

POST TYPE	S	S	2X2X14GA
POST HEIGHT	36"	39"	42"
MAX HORIZ TOP LOAD	320#	295#	275#
TOP LOAD @ FAILURE	455#	425#	395#

NOTE: DESIGN LOADS ARE LIMITED BY FLOOR BASE MATERIALS AND FASTENER CONNECTION IN FLOOR MATERIALS. IT IS THE RESPONSIBILITY OF THE INSTALLER TO VERIFY THE CONNECTIONS WITH THE LOCAL DESIGN PROFESSIONAL.

Date:	Revisions
02/27/15	ADDED THICKER MOUNTING PLATE SPEC

5015 RAILING POST STRUCTURAL STRENGTH STUDY
0002 POST TEST AND CERTIFICATION RESULTS

STAIR SUPPLIES
1722 EISENHOWER DRIVE NORTH
GOSHEN, IN 46526 866-226-6536

GRAHAM ENGINEERING SERVICES
By Graham Enterprises, Inc.
28643 Co. Rd. 50
Nappanee, Indiana, 46550 574-773-0415



Scale : 1"=1'-0"

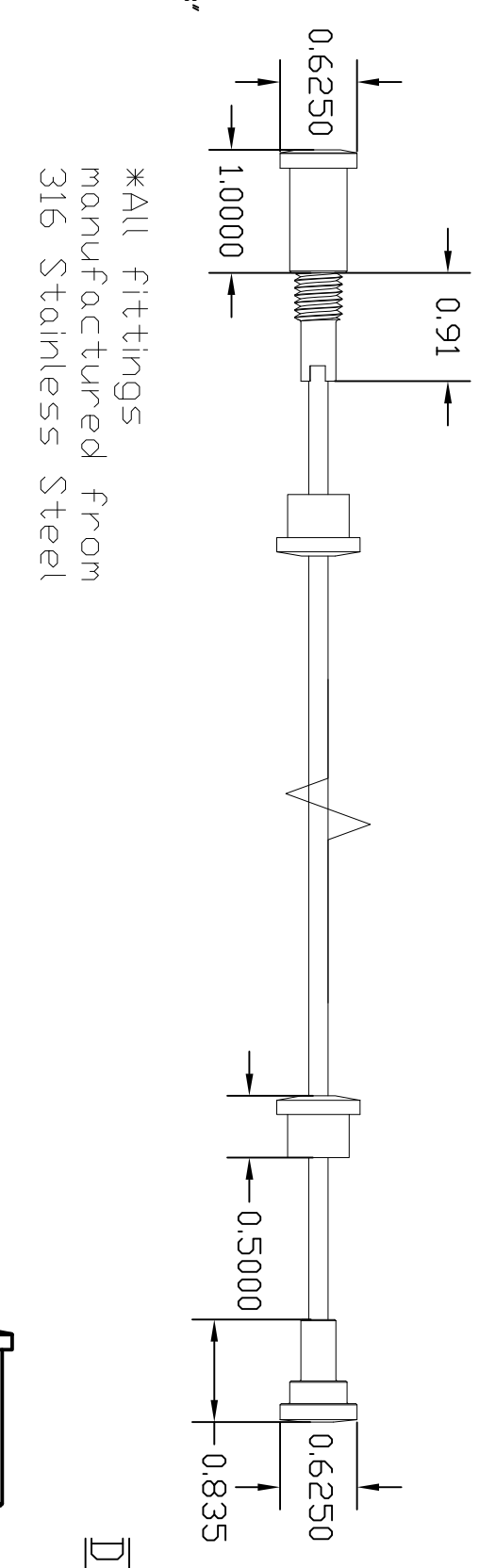
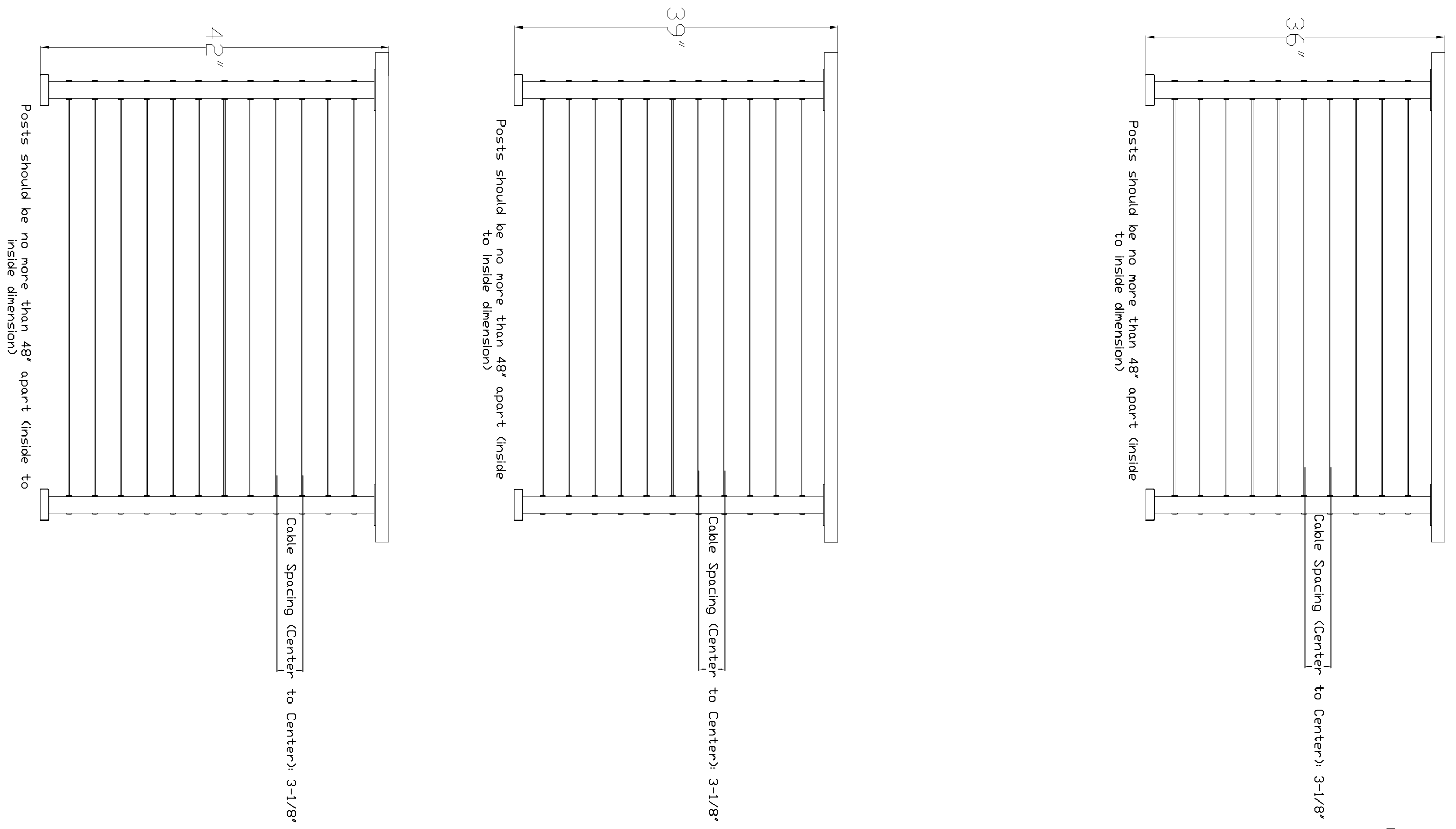
Date : 01 / 27 / 15
Drawn by: D. Graham

Douglas L. Graham
Douglas L. Graham, P.E.

DO NOT SCALE! DRAWING NOT NECESSARILY TO SCALE, USE DIMENSIONS ONLY!

ALL DIMENSIONS SHALL BE FIELD CHECKED BY THE MANUFACTURER / CONTRACTOR PRIOR TO START OF CONSTRUCTION. GRAHAM ENTERPRISES, INC. SHALL NOT BE RESPONSIBLE FOR ANY DIMENSIONAL DISCREPANCIES WHICH HAVE NOT BEEN BROUGHT TO THEIR ATTENTION PRIOR TO THE START OF MANUFACTURE AND OR CONSTRUCTION. THE MANUFACTURER AND OR CONTRACTOR ARE RESPONSIBLE FOR ALL FINAL DIMENSIONS.

THIS DRAWING AND ALL INFORMATION CONTAINED HEREIN IS THE PROPERTY OF GRAHAM ENTERPRISES, INC. AND IS SUBJECT TO THE COPYRIGHT LAWS. COPYRIGHT NOTICE IS HEREBY EXPRESSED. THIS DRAWING IS NOT TO BE REPRODUCED WITHOUT THE EXPRESSED WRITTEN APPROVAL OF GRAHAM ENTERPRISES, INC. THE INFORMATION CONTAINED ON THIS DRAWING IS FOR THE SOLE USE OF THE PROJECT NAMED AND GRAHAM ENTERPRISES, INC. ASSUMES NO RESPONSIBILITY FOR OTHER USE.

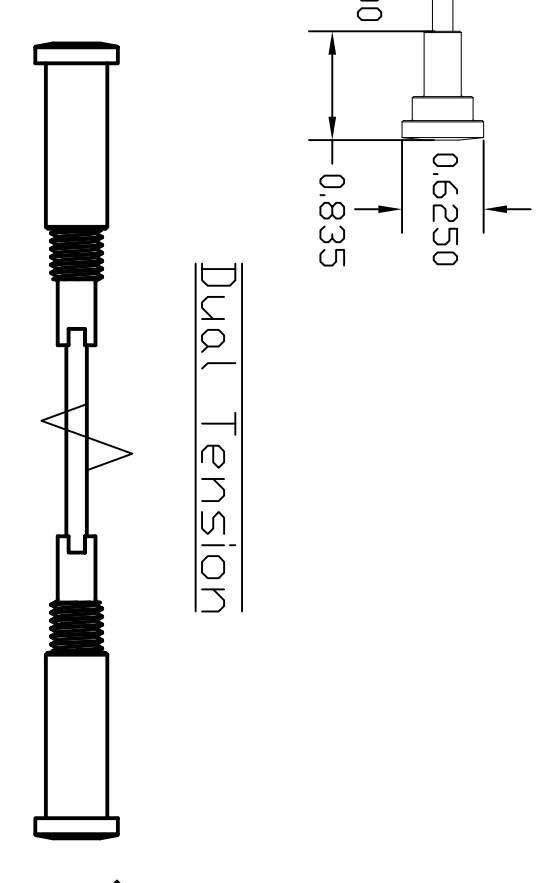


Steel Inside Post Mount

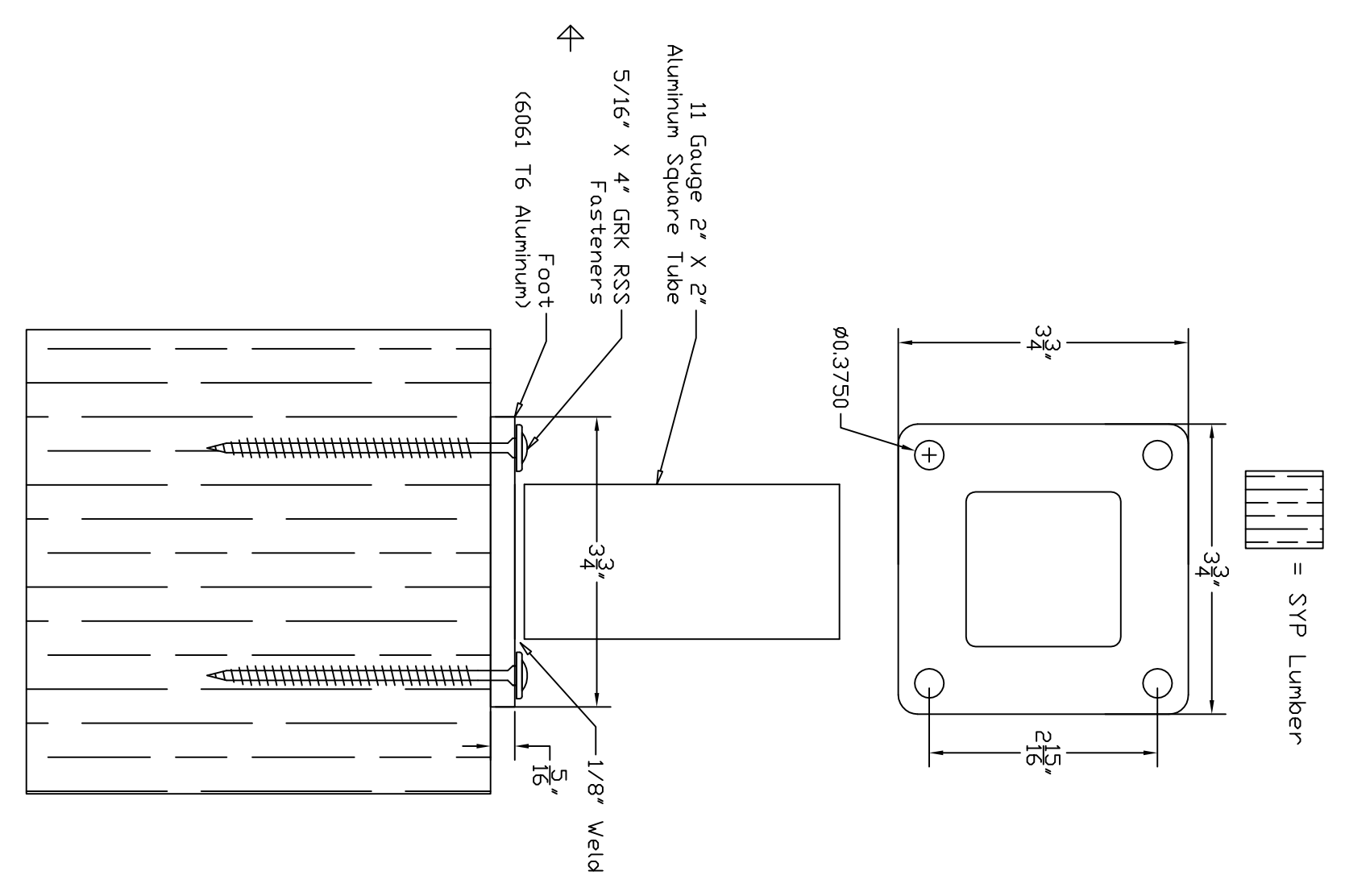
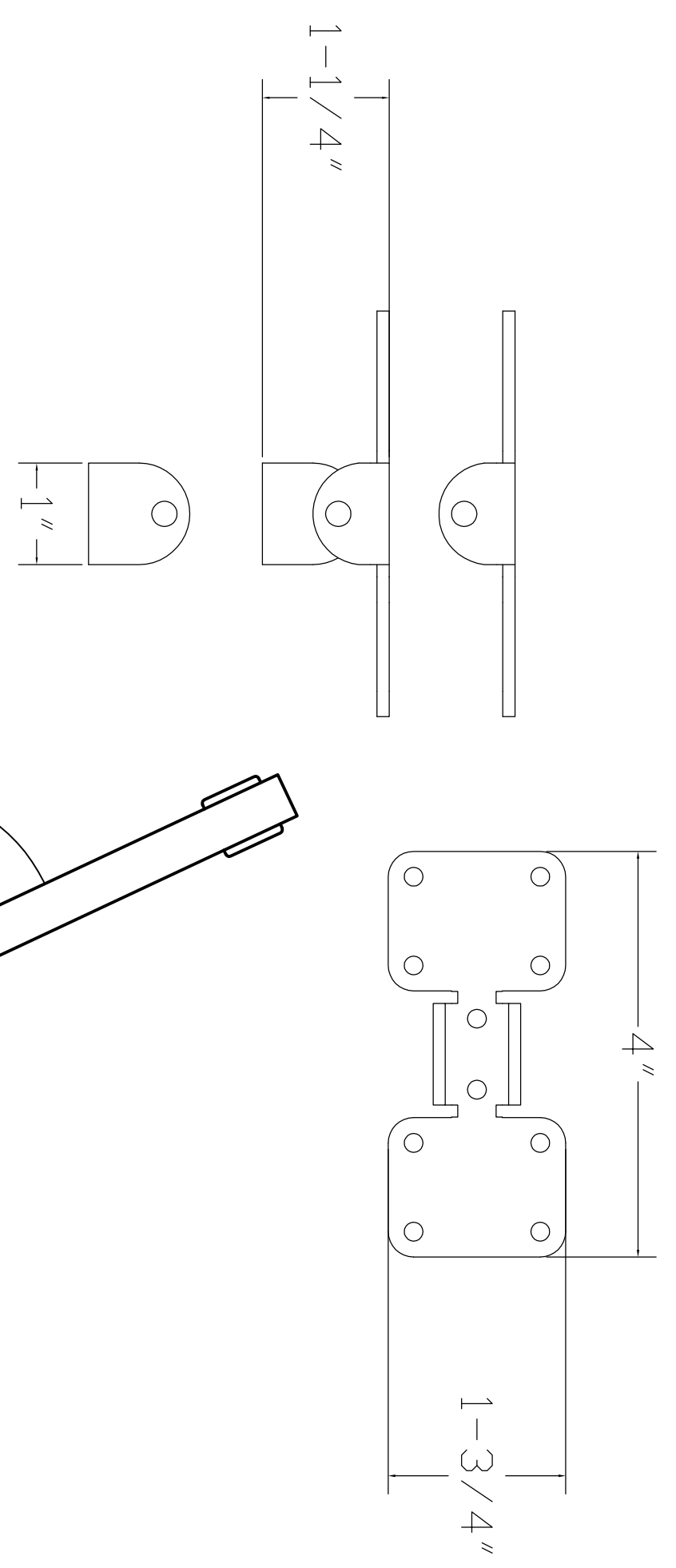
NOTE: DESIGN LOADS ARE LIMITED BY FLOOR BASE MATERIALS AND FASTENER CONNECTION IN FLOOR MATERIALS. IT IS THE RESPONSIBILITY OF THE INSTALLER TO VERIFY THE CONNECTIONS WITH THE LOCAL DESIGN PROFESSIONAL.

POST TYPE	ALUM	2X2X11GA	42"
POST HEIGHT	36"	39"	42"
MAX HORIZ TOP LOAD	210#	195#	180#
TOP LOAD @ FAILURE	300#	275#	250#

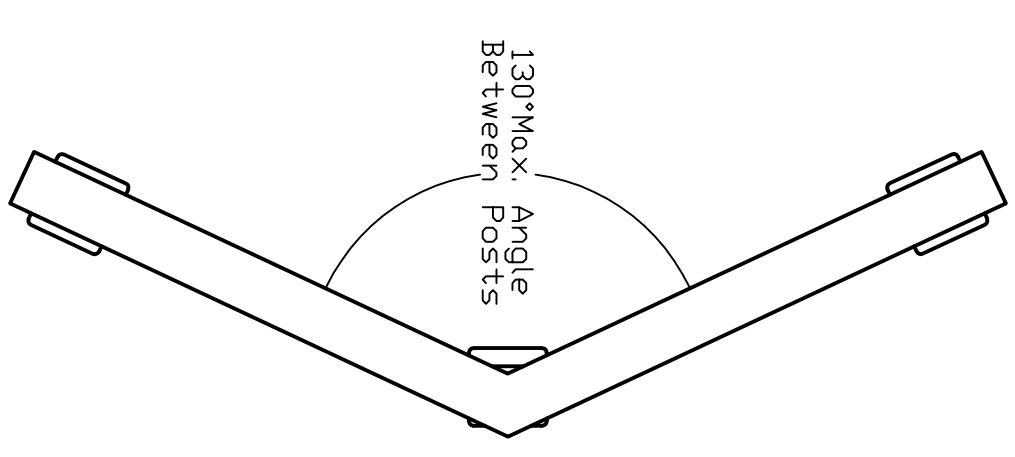
Level



Dual Tension



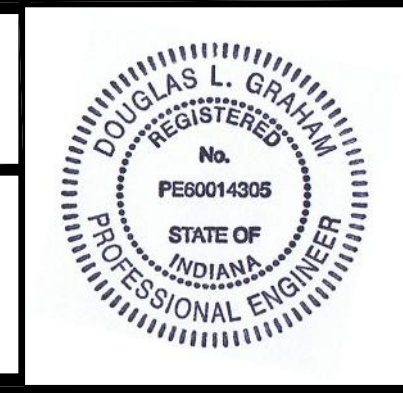
Date:	Revisions
03/02/15	ADDED POST BASE PLATE DETAIL



CONTACT:
JES. VERNAL, Dr.
General Sales & Service
http://www.viewrail.com/
http://www.viewrail.com/
1-800-445-5100
1-800-445-5100
1-800-445-5100
1-800-445-5100

VIEWRAIL	Scale	Sheet Size
VIEWRAIL	1/8" = 1'-0"	36" X 48"

5015 0003	RAILING POST STRUCTURAL STRENGTH STUDY POST TEST AND CERTIFICATION RESULTS	GRAHAM ENGINEERING SERVICES By Graham Enterprises, Inc. 28643 Co. Rd. 50 Nappanee, Indiana, 46550 574-773-0415
--------------	---	---



Scale : 1"=1'-0"

Date : 01 / 27 / 15
Drawn by: D. Graham

Douglas L. Graham
Douglas L. Graham, P.E.

DO NOT SCALE! DRAWING NOT NECESSARILY TO SCALE, USE DIMENSIONS ONLY!

ALL DIMENSIONS SHALL BE FIELD CHECKED BY THE MANUFACTURER / CONTRACTOR PRIOR TO START OF CONSTRUCTION. GRAHAM ENTERPRISES, INC. SHALL NOT BE RESPONSIBLE FOR ANY DIMENSIONAL DISCREPANCIES WHICH HAVE NOT BEEN BROUGHT TO THEIR ATTENTION PRIOR TO THE START OF MANUFACTURE AND OR CONSTRUCTION. THE MANUFACTURER AND OR CONTRACTOR ARE RESPONSIBLE FOR ALL FINAL DIMENSIONS.

THIS DRAWING AND ALL INFORMATION CONTAINED HEREIN IS THE PROPERTY OF GRAHAM ENTERPRISES, INC. AND IS SUBJECT TO THE COPYRIGHT LAWS. COPYRIGHT NOTICE IS HEREBY EXPRESSED. THIS DRAWING IS NOT TO BE REPRODUCED WITHOUT THE EXPRESSED WRITTEN APPROVAL OF GRAHAM ENTERPRISES, INC. THE INFORMATION CONTAINED ON THIS DRAWING IS FOR THE SOLE USE OF THE PROJECT NAMED AND GRAHAM ENTERPRISES, INC. ASSUMES NO RESPONSIBILITY FOR OTHER USE.