

Other Tools and Supplies Not Included in the Installation Kit

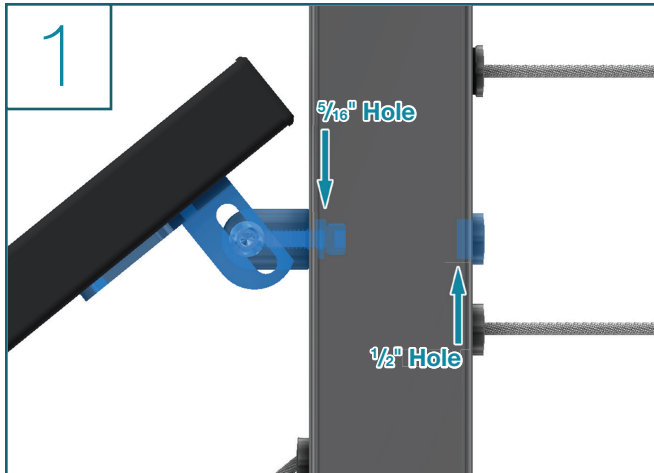
- Allen Wrenches
- Dead Blow Hammer

Things to Know Before You Get Started

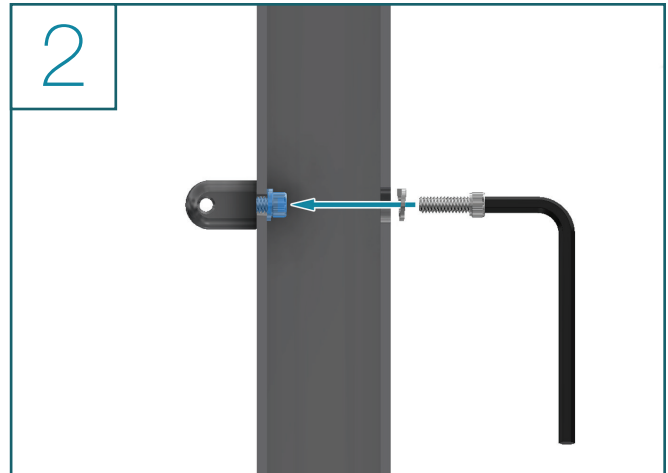
- The post side handrail bracket is used on angle to level transition posts
i.e. I, D, H, G
- It may be helpful to slide the post foot cover on the post first, and then install the post side handrail bracket dome before the post is mounted down. This is in case any hardware falls inside the post.



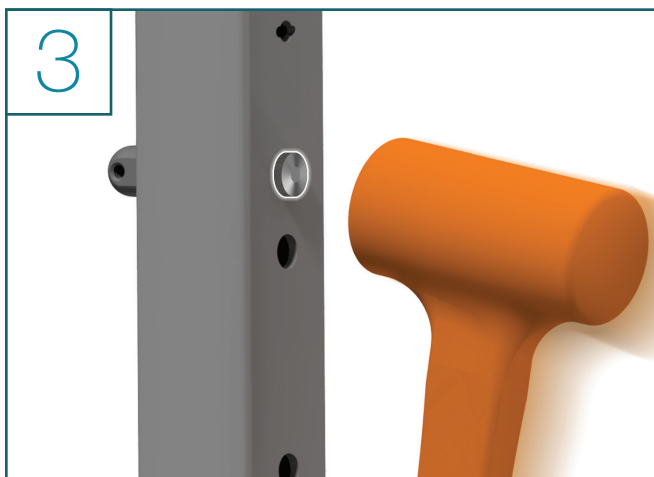
Installation Steps



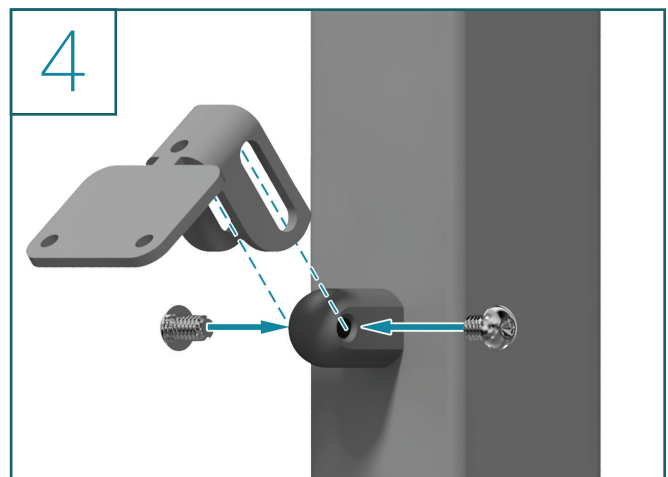
- Identify and select your stair transition posts (I, D, H, G)
- Identify the 5/16" and 1/2" holes for your postside handrail bracket



- Slide the lock washer onto the hex screw
- Using the allen wrench, insert both into the 1/2" hole until the screw is out the 5/16" hole
- Turn the bracket dome onto the screw a few rotations
- Once threading, hold the dome into position and use the allen wrench to tighten the dome snug against the post



- Using a rubber mallet and wood driver, drive the steel plug into the 1/2" hole



- Using the two set screws, attach the bracket to the dome
- You are able to loosen the screws and slide the bracket to fit the angle of your handrail
- Once in place, retighten the screws to hold the bracket

Congratulations! You're done.

We'd love to see your work! Snap a few pics with your phone and send them to pictures@viewrail.com. Thanks for choosing Viewrail. Enjoy your new installation!