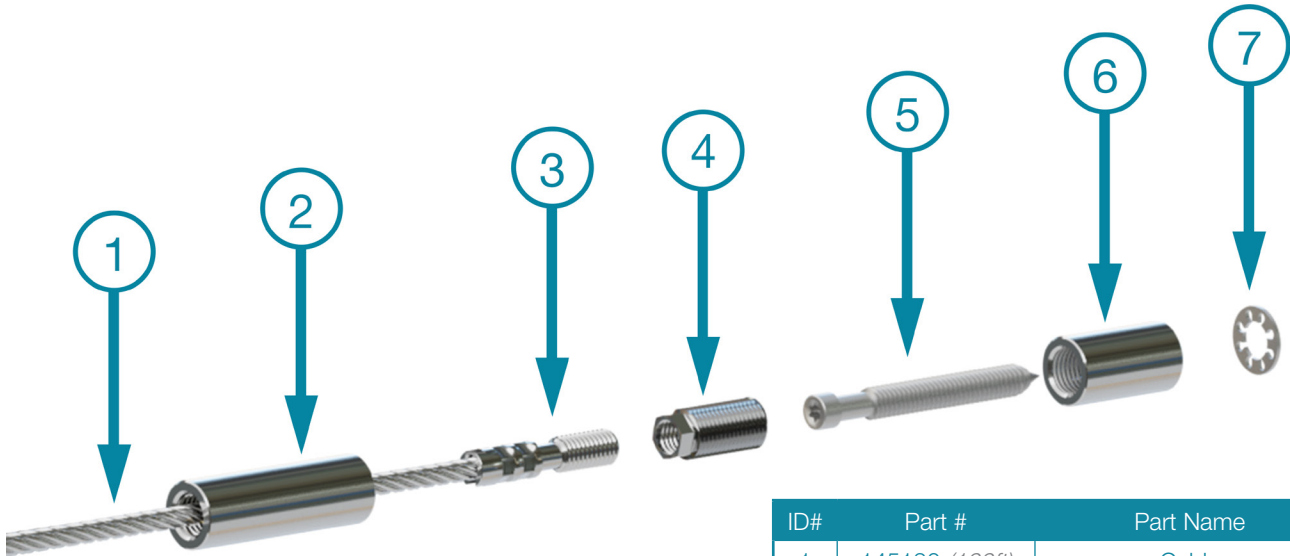




# DriveTite - Cable Installation Guide



ID#	Part #	Part Name
1	145130 (100ft) 145131 (400ft)	Cable (100 ft or 400ft)
2	316293	DriveTite Cover (Rod/Cable)
3	131421	Cable Threaded Crimp Fitting
4	260949	DriveTite Turn Buckle
5	268948	DriveTite Receiver Screw
6	260984	DriveTite Receiver
7	292259	DriveTite Lock Washer

## Before You Begin

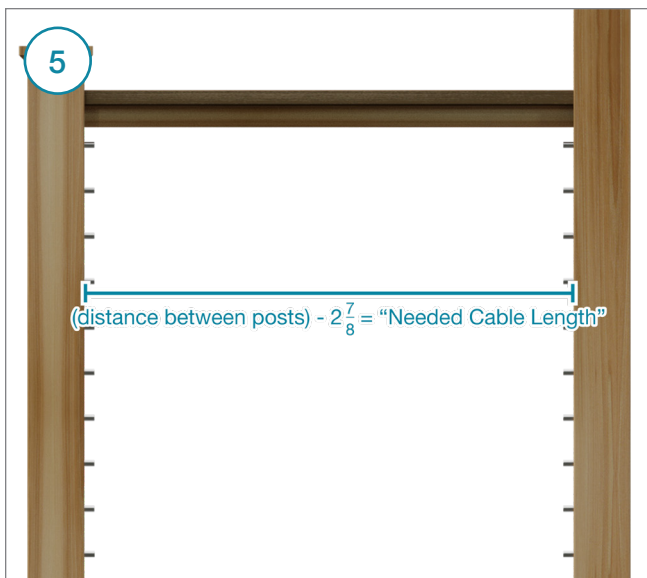
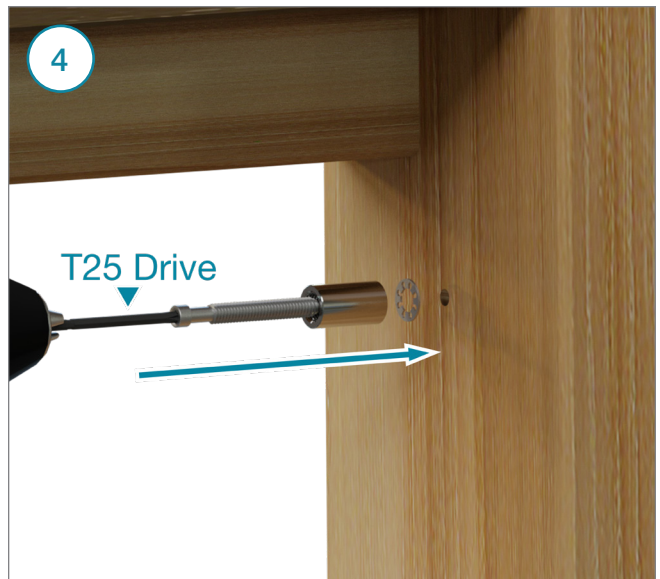
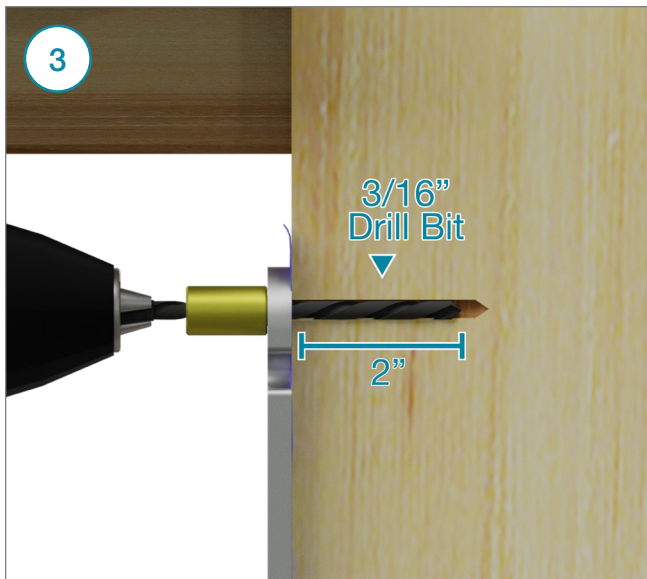
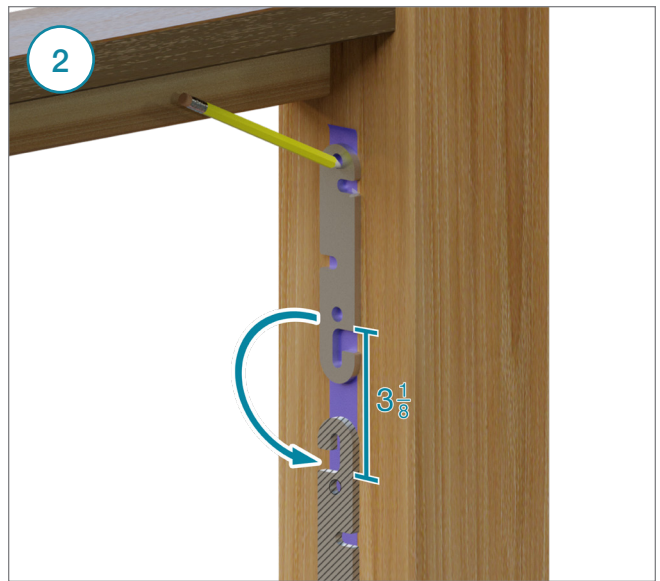
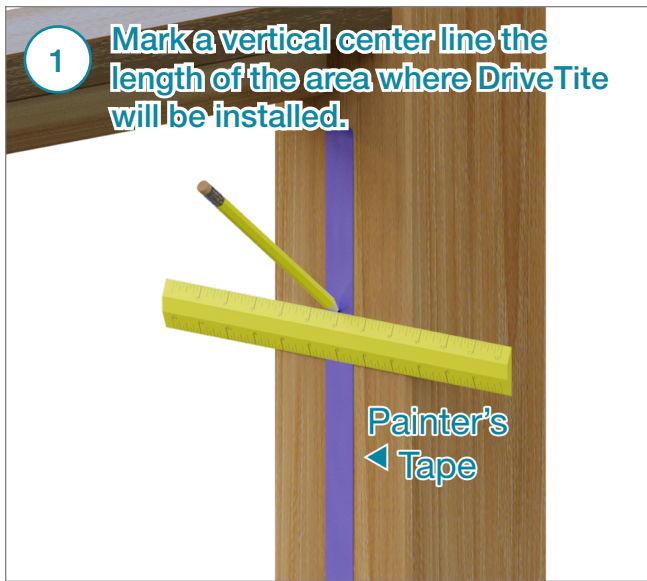
Ensure that your posts and handrail are properly installed before beginning your cable installation.

For wood + Viewrail Metal Posts Systems: Match the hole spacing on your posts.

## Items You'll Need

- Cable Cutters
- 10mm Crimper
- DriveTite Wrench
- Drill
- 3/16 Drill Bit
- T25 Drive Bit

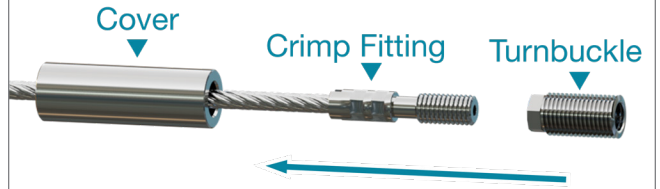
For more information or installation help, go to [www.youtube.com/Viewrail](http://www.youtube.com/Viewrail)



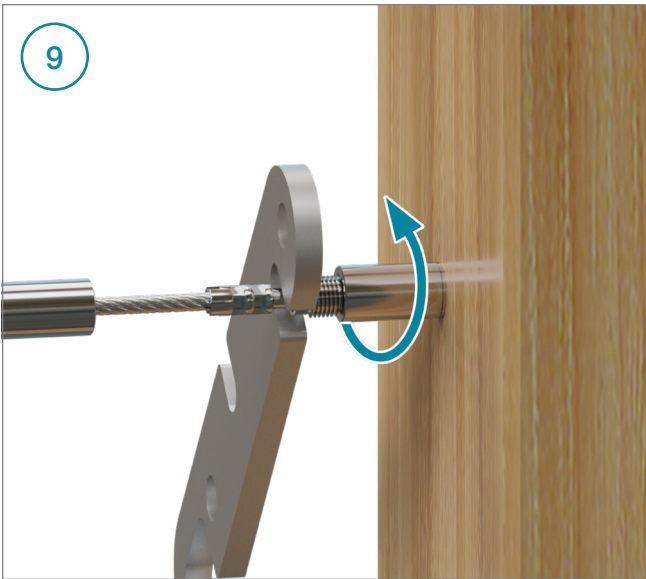
7 Crimp the threaded crimp fitting twice onto each end of the cable.



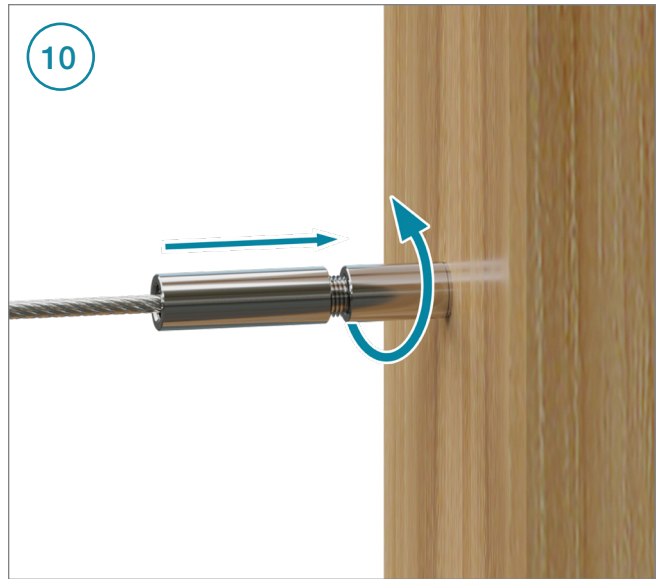
8



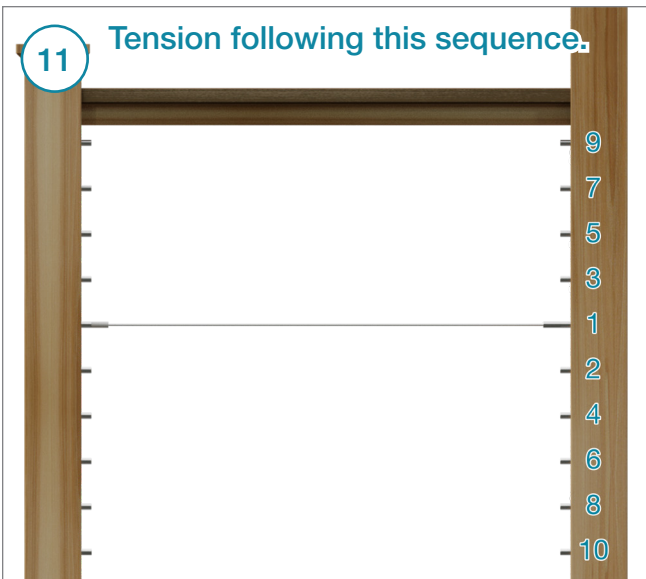
9



10



11 Tension following this sequence.

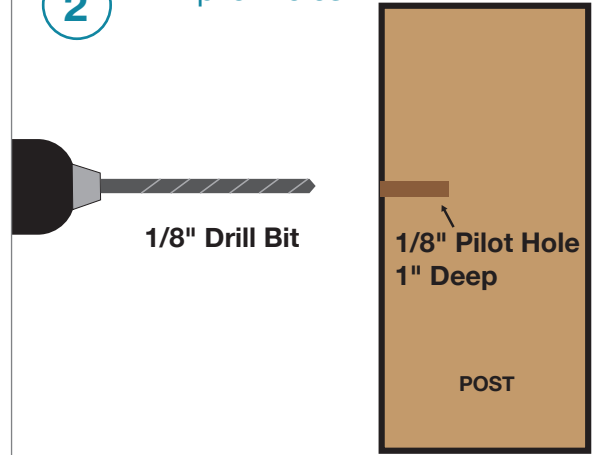


# DriveTite Exterior – For Use on All Angle Runs

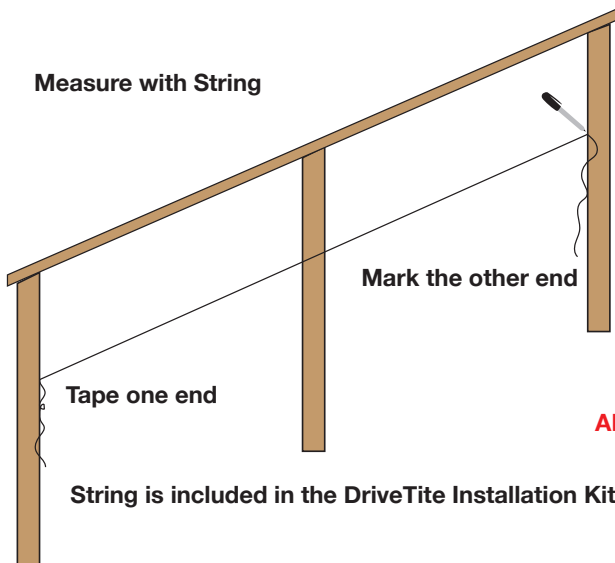
**1** These are the parts for the DriveTite Exterior kit



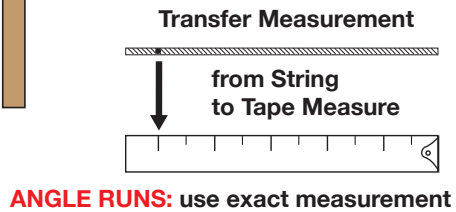
**2** Drill pilot holes.



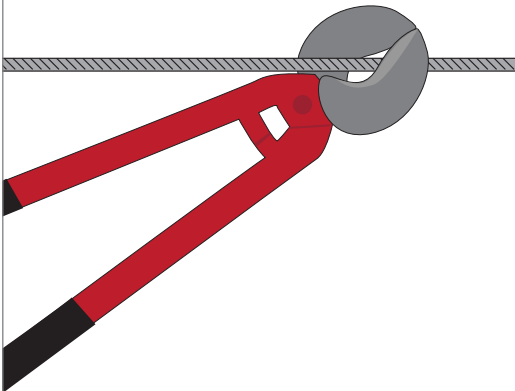
Measure with String



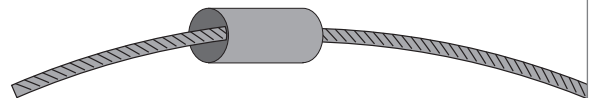
**3** Measure cut length with string and transfer to tape measure.



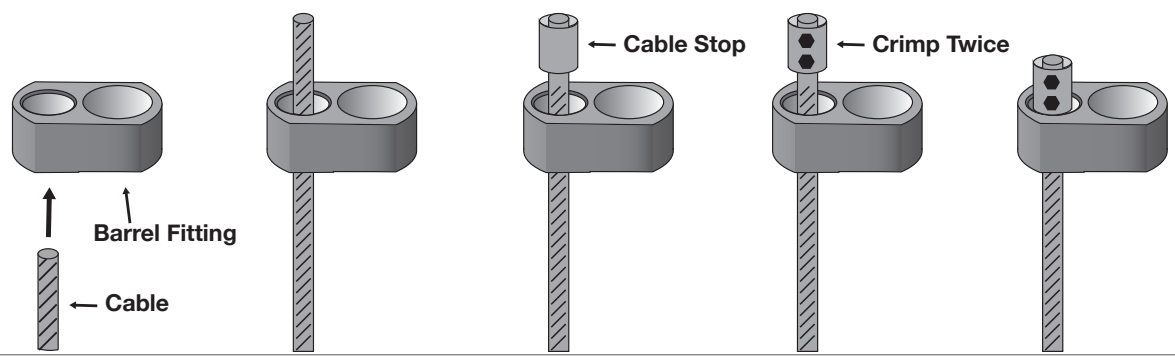
**4** Cut cable to cut length from previous step.



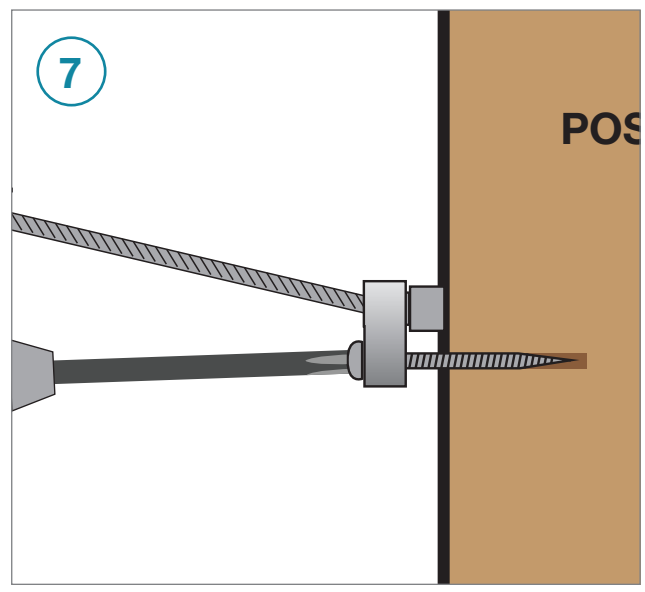
**5** Slide Surface Cover onto cable.



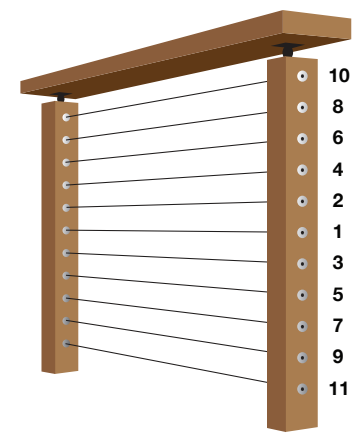
6 Slide cable through Barrel Fitting and crimp Cable Stop twice.



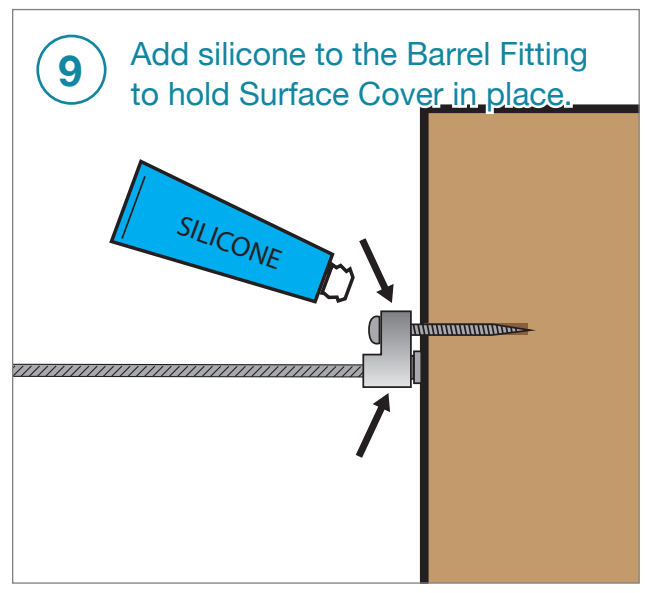
7



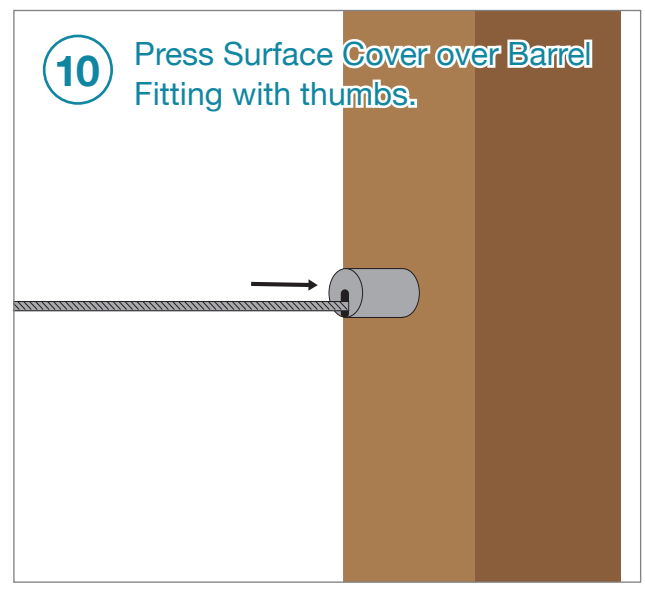
8 Tighten cable in this order.



9 Add silicone to the Barrel Fitting to hold Surface Cover in place.



10 Press Surface Cover over Barrel Fitting with thumbs.





**Congratulations! Your Install is Done**

We'd love to see your work! Snap a few pics with your phone and send them to [pictures@Viewrail.com](mailto:pictures@Viewrail.com). Thanks for choosing Viewrail. Enjoy your new installation!