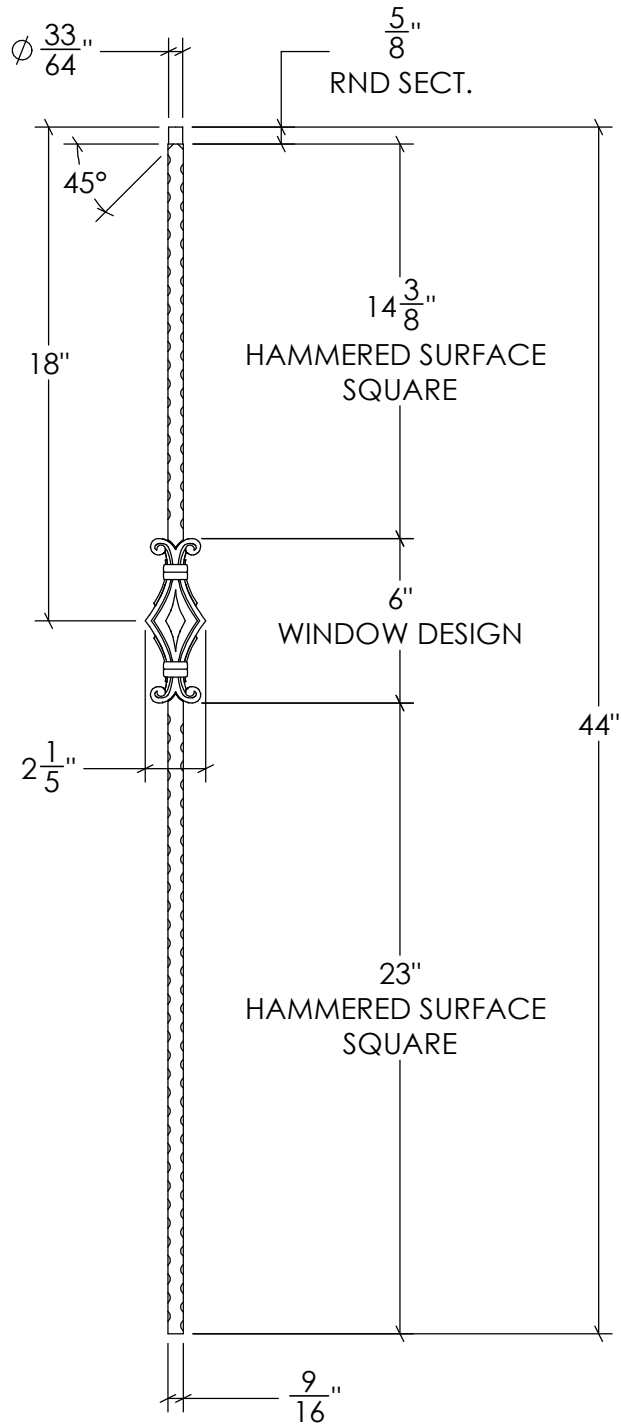


REVISIONS			
REV.	DESCRIPTION	DATE	REVISED BY
A			



 **STAIRSUPPLIES™**



1722 Eisenhower Drive North  
Suite B  
Goshen, IN 46526  
COPYRIGHT 2022 StairSupplies™ ALL RIGHTS RESERVED

DESCRIPTION: M13344 (Single Window Iron Bal.)

Drawn by: **RSAGRE**

DWG #: **C-2760**

Date: 03/31/2023  
Created: 03/31/2023

Material: **Iron**

Scale: **1 : 7**