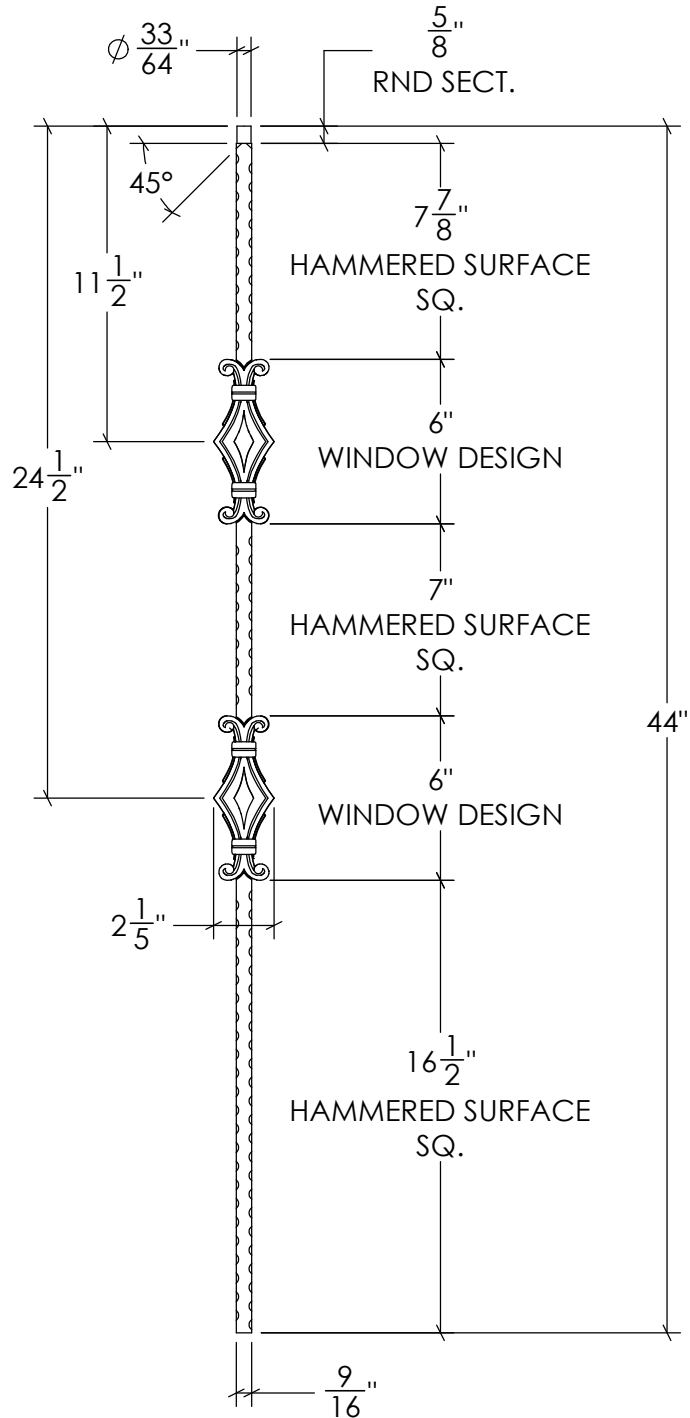


REVISIONS			
REV.	DESCRIPTION	DATE	REVISED BY
A			



 **STAIRSUPPLIES™**



1722 Eisenhower Drive North

Suite B

Goshen, IN 46526

COPYRIGHT 2022 StairSupplies™ ALL RIGHTS RESERVED

DESCRIPTION: **M13444 (Double Window Iron Bal)**

Drawn by: **RSAGRE**

DWG #: **C-2761**

Date: 04/20/2023

Created: 04/20/2023

Material: **Iron**

Scale: **1 : 7**