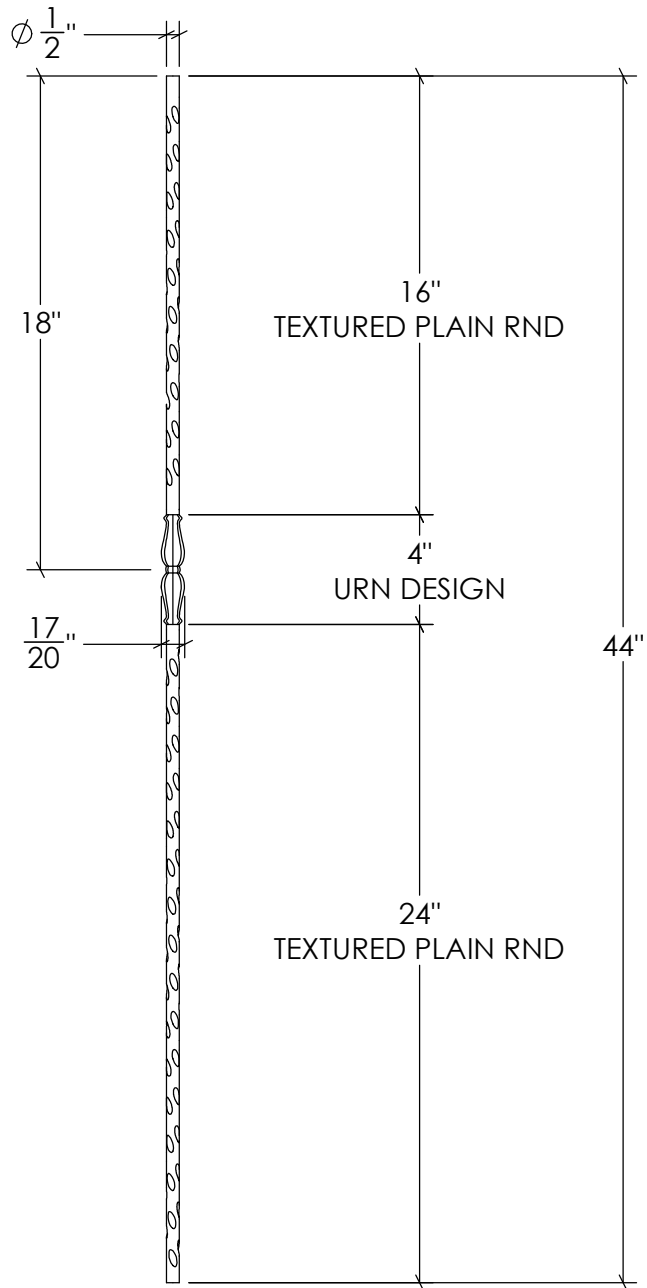


REVISIONS			
REV.	DESCRIPTION	DATE	REVISED BY
A			



STAIRSUPPLIES™



1722 Eisenhower Drive North
Suite B
Goshen, IN 46526
COPYRIGHT 2022 StairSupplies™ ALL RIGHTS RESERVED

DESCRIPTION: R-60144 (Single Urn Iron Bal.)

Drawn by: **RSAGRE**

DWG #: **C-2770**

Date: 04/27/2023

Created: 04/27/2023

Material: **Iron**

Scale: **1 : 7**