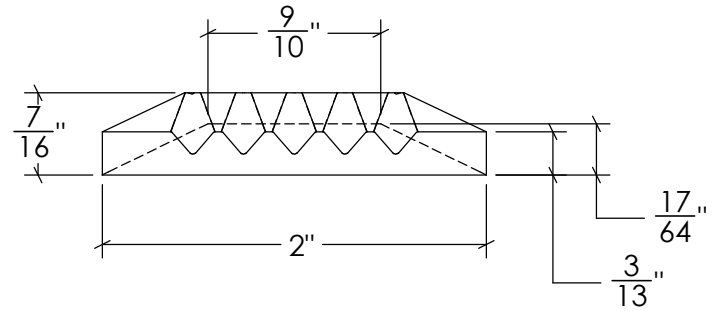
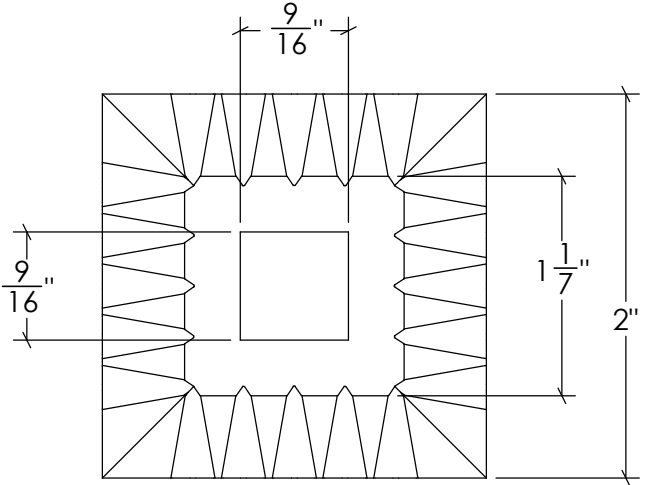
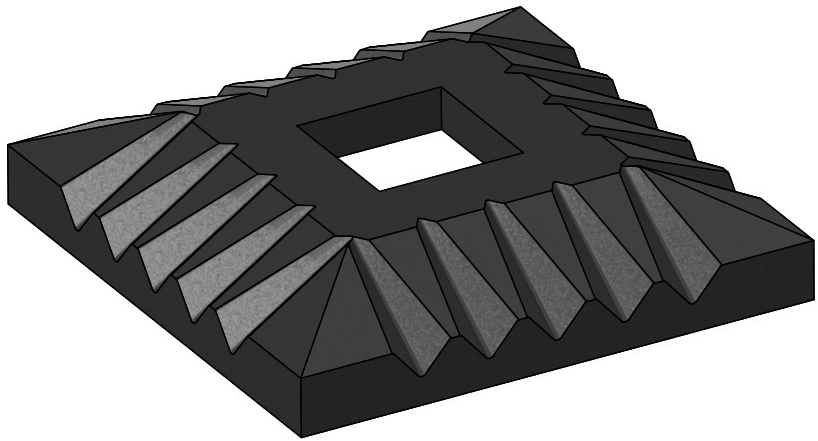


REVISIONS			
REV.	DESCRIPTION	DATE	REVISED BY
A			



 **STAIRSUPPLIES™**



1722 Eisenhower Drive North
 Suite B
 Goshen, IN 46526

COPYRIGHT 2022 StairSupplies™ ALL RIGHTS RESERVED

DESCRIPTION: **M-022 (Square Ornate Shoe)**

Drawn by: **RSAGRE**

DWG #: **C-2912**

Date: 04/06/2023
 Created: 04/06/2023

Material: **Iron**

Scale: **1 : 1**