

Iron Baluster Installation Guide



Tools Needed from the Installation Kit



Metal Epoxy Gun



Epoxy Cartridges

Other Tools and Supplies Not Included in the Installation Kit

- Hack Saw, Chop Saw or Angle Grinder with Metal Cutting Disks (Available through Viewrail)
- Tape Measure
- Pencil
- Painter's Tape
- Wood Drill Bits: $\frac{5}{8}$ " & $\frac{3}{4}$ "
- Sawzall or Hand Saw (*If removing Wooden Balusters*)
- Belt Sander or Grinding Wheel (*Only needed for Knee Wall Installations with very shallow or steep angles where angle shoes are used*)

Things to Know Before You Get Started

- Read over the provided material list prior to the start of your installation
- Identify what type of surface you will be installation on
- Gaps between balusters should be less than 4" on center



Iron Baluster Installation Steps



1

- Iron balusters can be installed into Treads
- In this application, typically there are level shoes on the bottom and angled shoes on top
- The angled shoes on top are optional depending on the look you desire



2

- Iron balusters can be installed onto an Angled Knee Wall
- In this application, typically there are angled shoes on the top and bottom
- The angled shoes on top are optional depending on the look you desire



3

- Iron balusters can be installed onto level surfaces, such as balconies
- In this application, typically there are flat shoes on the top and bottom
- The flat shoes on top are optional depending on the look you desire



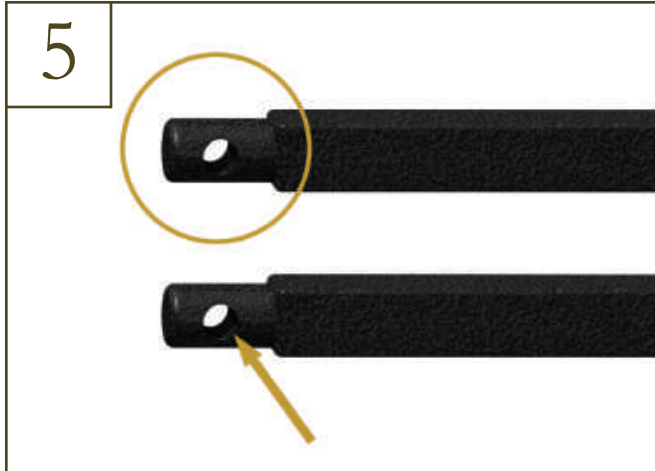
4

Level Shoe

Angle Shoe

- The installation process for each of these 3 stairways is the same
- The only difference is the types of shoes used

Iron Baluster Installation Steps (Continued)



- The Balusters measure 44" long
- They are designed to be cut down from the bottom
- They are square and come with a 3/4" long round section at the top
- The small hole in the top section is used during the powder coating process and will not affect installation



- Aluminum shoes are not structural. They are designed to cover the square baluster going into a round hole
- The rounded portion of the top of the baluster looks more finished going into a round hole and less visible on the underside of the handrail



- Iron balusters can be installed
 - As replacements for wood balusters
 - Into new construction
 - Into remodeled stairs

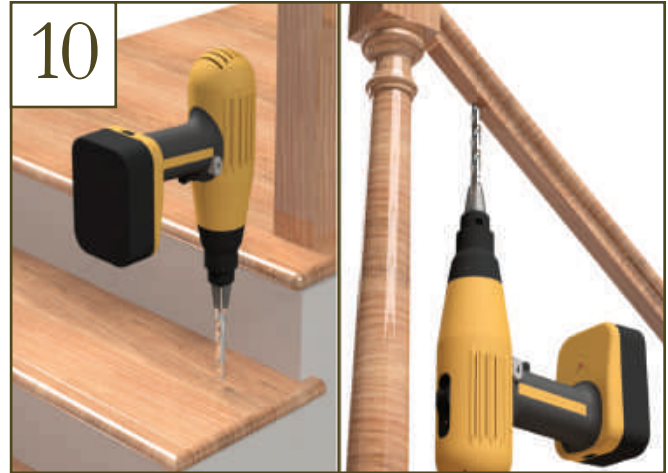


- If you are replacing wood balusters, cut in the middle to remove the old balusters
- Remove all dowel screws and finishing nails from whatever surface your balusters were installed into
- You will want to install into a new or refinished surface, Iron balusters will not cover up old mounting holes

Iron Baluster Installation Steps (Continued)



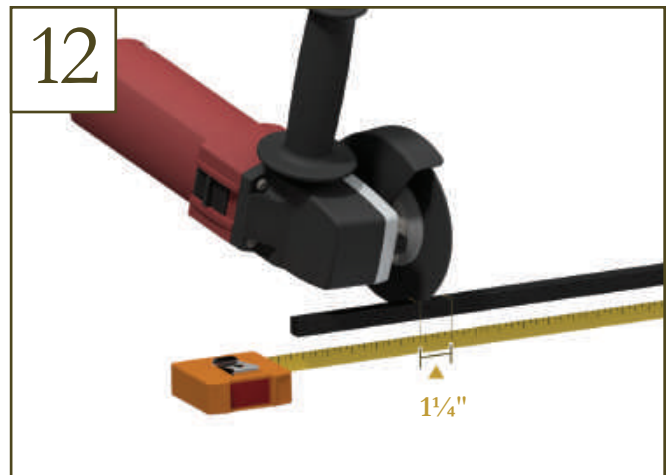
- We recommend laying out your balusters in the pattern you plan to use before starting the installation
- Mark where you will want to install each baluster. This is where you will drill your mounting holes



- Baluster Hole Diameter
 - 1/2" Balusters use a 5/8" wood bit
 - 3/16" Balusters use a 3/4" wood bit
- Baluster Hole Depth
 - Treads, Knee Wall or Floor holes - drilled 1/2" deep
 - Handrail holes - drilled 1 1/2" deep



- Measure the distance from the bottom of your handrail to the top of the tread where your baluster will be placed



- We recommend using a metal abrasive cutting blade to cut the balusters (A hacksaw will also work)
- Cut 1/4" longer than the distance measured in step 11
- Once you have cut the balusters, this will allow you to slide the baluster into the handrail first, and then drop it down into the bottom mounting hole

Iron Baluster Installation Steps (Continued)



- Apply painters tape around the top of the balusters before installing
- Do not cover the round portion of the baluster



- Angled shoes are designed to work, without modification, on 90% of all stairways
- For the other 10%, the angle can be adjusted using a belt sander or grinding wheel, for a perfect fit



- Fill 25% - 40% of each hole (top and bottom) with epoxy
- The epoxy StairSupplies sells is thicker than most, so it won't be as likely to drip



- If using shoes, put them on the balusters before you put the it in place
- Tape the bottom shoe far enough from the bottom so it doesn't slide down and get in the way

Iron Baluster Installation Steps (Continued)



- Slide the cut balusters up into the handrail, then drop them into the bottom hole
- Make sure the balusters and shoes, if using them, are orientated the correct direction



- Apply a little more epoxy into both the top and bottom hole
- The tape provides a barrier so that any epoxy that comes out of the hole will stick to the tape instead of the baluster
- Allow the balusters to sit for up to 24 hours before removing the tape and fastening the shoes



- Using a $\frac{3}{32}$ " Allen Wrench tighten the set screw that comes pre-installed in each aluminum shoe

Congratulations! You're done.

We'd love to see your work! Snap a few pics with your phone and send them to pictures@viewrail.com. Thanks for choosing Viewrail. Enjoy your new installation!